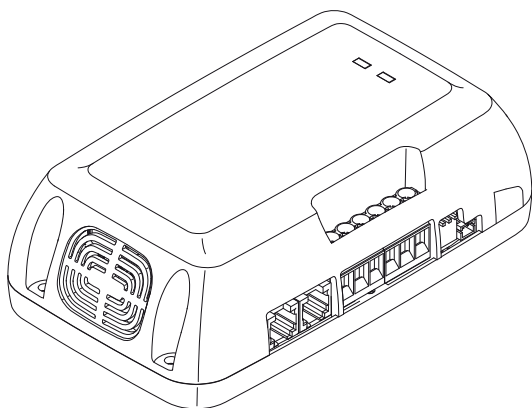


**NDS** |  **DOMETIC**

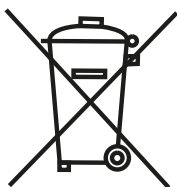
# **POWER & CONTROL SOLAR CHARGER**



**EN**

**SUNCONTROL2**  
SCE320, SCE360

### **INSTRUCTIONS FOR THE PROPER DISPOSAL**



This electronic product is subject to the European Directive 2012/19 / EU. Comply with local waste disposal regulations, do not dispose of old products with normal household waste. The proper disposal of products that can no longer be used prevents potential negative consequences for the environment and for the population.



# INDEX

1. SAFETY INSTRUCTIONS	2
2. PACKAGE CONTENTS	3
3. DESCRIPTION	3
4. OPERATIONS	5
5. STRUCTURE	6
6. N-BUS NETWORK AND CONTROLLERS	7
7. INSTALLATION	8
8. CHARGING CURVE SELECTION	10
9. LED INDICATORS	13
10. FUSE REPLACEMENT	14
11. TECHNICAL FEATURES	15
12. WIRING DIAGRAMS SAMPLES	17
13. F.A.Q.	20
14. WARRANTY	23

# 1. SAFETY INSTRUCTIONS

- Child Safety: Keep the device Out of Reach.
- Carefully check the integrity of the device and connectors.
- To avoid overheating and possible fires do not install the device in a sealed environment, Always choose a well ventilated area.
- Do not place the device on highly flammable surfaces or environments (eg: paper, cloth, etc.).
- Do not cover the cooling slits on the side and the fan on the top.
- Do not install the device near flooded batteries: they produce flammable, corrosive and explosive gas while working, and it can damage the product.
- protect the device from sunlight or direct sources of heat.
- To avoid malfunctions, DO NOT install and use the device in very humid environments, in contact with water splashes, various liquids, or exposed to rain.
- To avoid risk of electric shock and/or fire, the vehicle's fuel system must be in good condition.
- In case of damaged connecting cables or inadequate section, immediately replace them with suitable cables as specified by this manual or by a qualified electrician.
- In case of anomalies in the conformity of the product do not use it! it is strictly forbidden to open the device. Repairs may only be carried out by qualified technical personnel using original spare parts.
- Keep the instruction manual near the device for easy access to the essential safety, use and maintenance information.
- The information contained in this manual may be changed without notice. NDS Energy s.r.l. reserves the right to make changes and improvements to the product at any time without notice and without

obligation to apply these changes to the devices previously distributed.

- The images of the products are purely indicative and may therefore not be fully representative of the characteristics of the product, differing in colour, size or accessories

## 2. PACKAGE CONTENTS

Check the contents of the package:

- 1 x **SUNCONTROL2**
- 1 x Replacement fuse
- Wall mounting screws

## 3. DESCRIPTION

**SUNCONTROL2**, the automatic solar regulator with **MPPT** technology to push the efficiency of photovoltaic modules to the maximum: more energy, less space.

The **MPPT** algorithm always uses the "maximum power peak" delivered by the panel, with a significantly higher performance than the PWM technology (up to 25% more)

**SUNCONTROL2** available in two models **SCE 320** and **SCE 360**, manages (depending on the model), up to 350W input, with a maximum charge of 25A. The new microprocessor, equipped with **OPTICHARGE** firmware, performs up to 6 charging phases, including desulphation and maintenance phases, for optimal recharging of the on-board batteries.

**SUNCONTROL2** is compatible with the following battery technologies: GEL, AGM, Wet and LiFePO<sub>4</sub> and both the leisure batteries and the starter battery can be recharged.

The **state of charge (SoC)** of both connected batteries is immediately visible on top of the device thanks to the two multicolored LEDs.

The system works with a 12V nominal voltage and it is possible to connect two photovoltaic panels, on separate inputs, with a maximum power of 180Wp (depending on the model).

The **Dip Switch selector**, located next to the power connections, allows you to select the output charge curve in a simple and fast way.

The **touch screen display DTB01 (optional)** with new management software, allows you to view the charge information and set the various settings with the new communication protocol NDS.

## MAIN FEATURES

- **MPPT** technology (+25% performances)
- Charging curve selection: GEL, AGM, Wet, and LiFePO<sub>4</sub>
- New Firmware **OPTICHARGE**
- Up to **6 charging phases**
- Starting battery charge
- Desulphation curve
- **Independent inputs** for 2 solar panels
- **SoC Quick view** with status LEDs
- Touch screen Display (Optional)

# 4. OPERATIONS

**SUNCONTROL2** charges up to two batteries: one service battery (B1) and one starter battery (B2), with priority charging to the service battery.

**SUNCONTROL2** will start charging the batteries if the following conditions are satisfied:

1. The connected Solar Panels deliver a voltage 1V higher than the voltage of the batteries to be recharged.
2. Battery voltage higher than 8V.

The **Leisure Battery** will be charged with the selected curve.

The **Starting Battery** will be charged if the following conditions are satisfied:

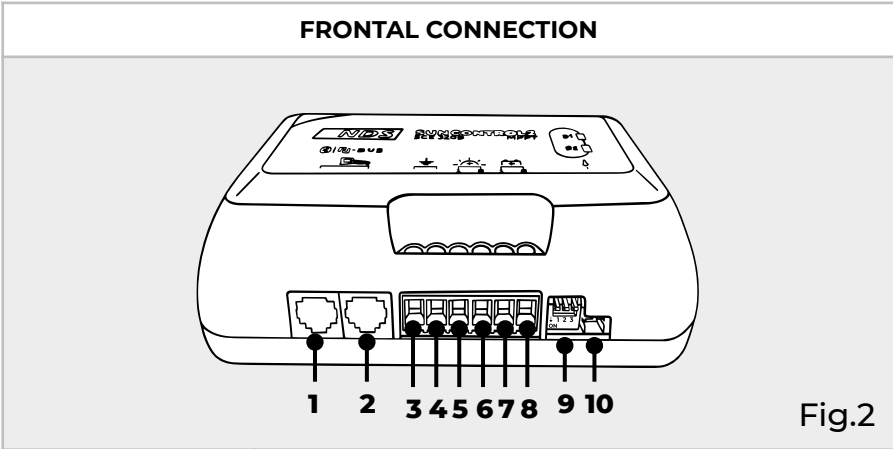
- Leisure battery charged between 80% and 100%.
- Starting battery with voltage under 12,5V.

Every charging phase have a **maximum run time**, with the exception of the maintenance phase, which constantly monitors the state of charge and, if necessary, delivers an impulse current to keep the battery 100% charged.

## **NOTE**

If the photovoltaic panels interrupt the power supply (during night, shadowed solar panel, etc. ...) the system goes into Stand-By mode: LEDs off and self-consumption to the minimum (<2mA).

# 5. STRUCTURE



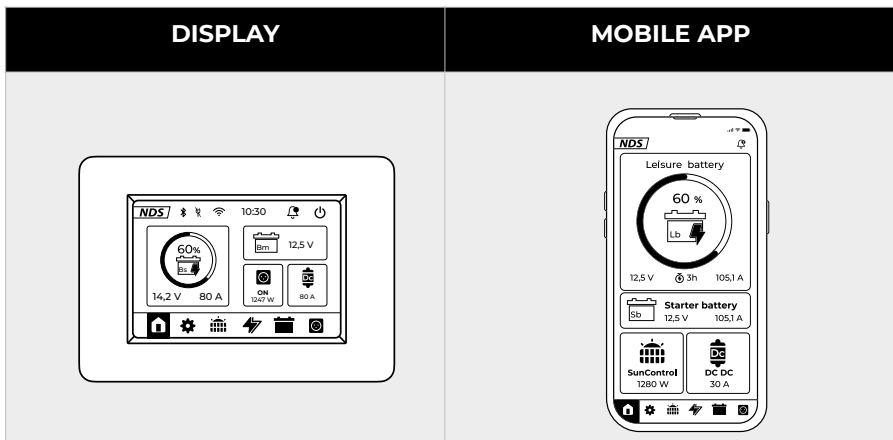
CONNECTION	FUNCTION
1	Display Bus DTB01 connection
2	N-BUS network connection
3	Solar panel negative connection
4	Battery negative connection
5	Solar panel positive connection 1
6	Solar panel positive connection 2
7	Leisure battery positive connection (B1)
8	Starter battery positive connection (B2)
9	Dip Switch - Charging curve selection
10	Temperature probe connection



# 6. N-BUS NETWORK AND CONTROLLERS

**N-BUS** devices can be networked for optimal operation of the entire NDS energy system. To start setting up your new energy system, simply connect two or more **N-BUS** devices with the optional data cable, available in various lengths (BC03M, BC06M or BC 10M). Furthermore, with N-BUS, you can use a single controller to monitor and control all NDS devices.

Manage the **SUNCONTROL2** and all **N-BUS** devices with a single touch screen full color display (**DTB01**), or with the mobile app for smartphones, if there is at least one NDS device with Bluetooth in the network. Bluetooth devices are e.g. **SUNCONTROL2** (models with Bluetooth) and **TEMPRA** Lithium Battery (all models). The mobile app can also be used to update all connected **N-BUS** devices if there is a Master device, such as **TEMPRA** Lithium Battery.



## NOTE

A Bluetooth N-BUS device is required to use the Mobile App, such as **TEMPRA** Battery or **SUNCONTROL2** models **SCE 320B**, **SCE 360B**. The Mobile App does not work with the SCE 320, SCE 360 or the earlier SC320M and SC350M models.

# 7. INSTALLATION

Place the **SUNCONTROL2** on the chosen surface and secure the entire device using the fixing holes integrated in the shell with the supplied screws or equivalent (Fig.1).

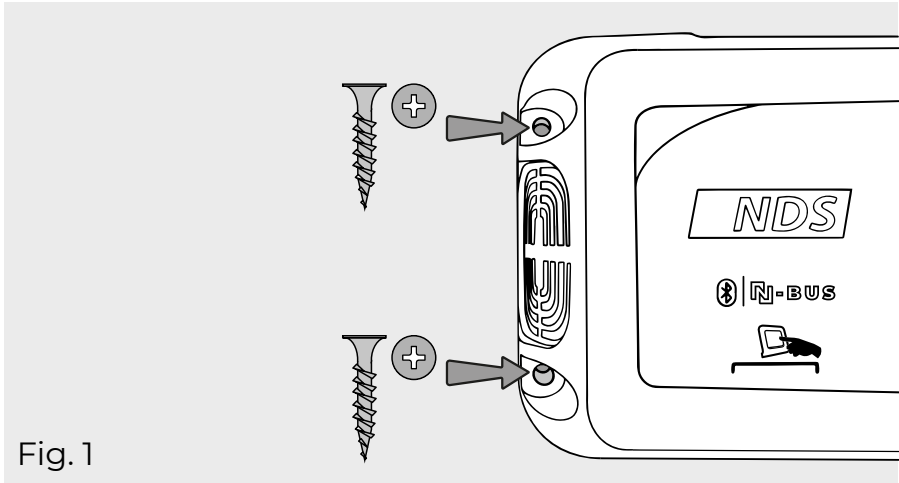


Fig.1

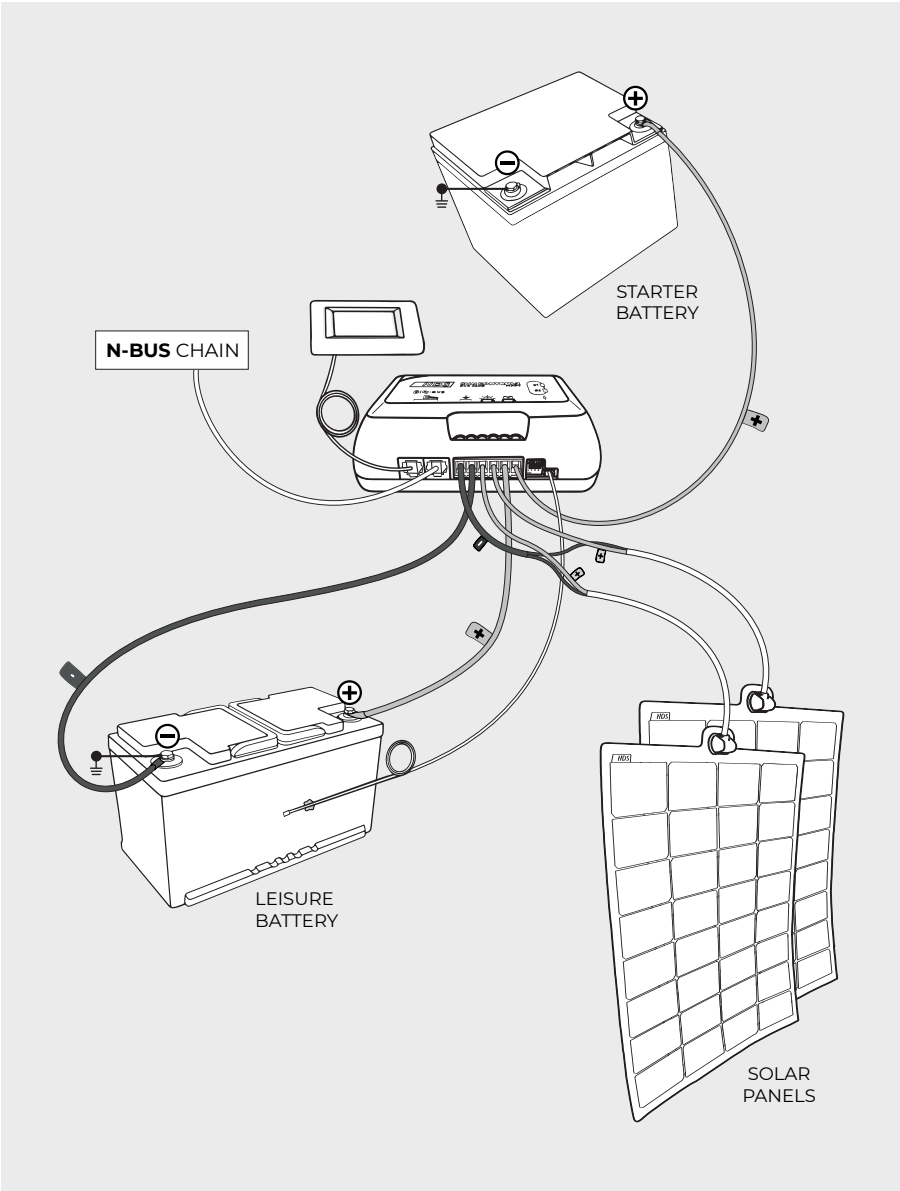
All electrical and setup connections are on the front, it is not necessary to disassemble the plastic shells, except for the protection fuse replacement.

On the front side, after the power connections, there's a **Dip Switch** for the **charging curve** selection, it's important to select the correct curve according to the type of battery supplied, for the selection of the correct curve please refer to the chapter "Charging curve selection".

## **CAUTION**









- For electrical connections, use cables of appropriate cross-section: from 6 mm<sup>2</sup>.
- In case of a **long stay**, it is advisable to disconnect the negative cable from the device to completely neutralize any residual consumption that may inadvertently discharge the leisure battery.

# BASIC CONNECTION



# 8. CHARGING CURVE SELECTION

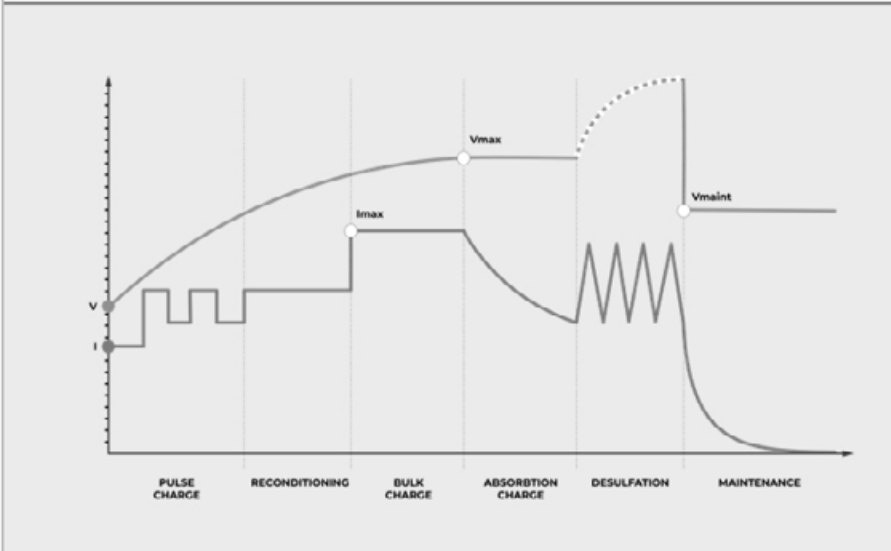
The Dip Switches, located next to the power connections, allow you to select the proper charging curve for the installed services battery, use the table to set the correct curve for your battery. The Dip Switches affect the B1 charging curve (leisure battery), not B2 (starter battery). The B2 charging curve is preset to curve N°1 (GEL - Desulphation OFF).

CURVE NUMBER	DIP-SWITCH POSITION	CURVE TYPE	CHARGING PARAMETERS
1	1 = OFF 2 = OFF 3 = OFF 	<b>GEL</b> Desulphation OFF	Vmax = 14,2V Vmaint = 13,5V
2	1 = ON 2 = OFF 3 = OFF 	<b>Acido Libero</b> Desulphation OFF	Vmax = 14,4V Vmaint = 13,8V
3	1 = OFF 2 = ON 3 = OFF 	<b>AGM</b> Desulphation OFF	Vmax = 14,7V Vmaint = 13,6V
4	1 = ON 2 = ON 3 = OFF 	<b>AGM</b> Desulphation ON	Vmax= 14,7V Vmaint = 13,6V Vdes = 15,8V
5	1 = OFF 2 = OFF 3 = ON 	<b>LiFePO<sub>4</sub> Litio</b> Maintenance ON	Vmax= 14,5V Vmaint = 13,8V
6	1 = ON 2 = OFF 3 = ON 	<b>LiFePO<sub>4</sub> Litio</b> Maintenance OFF	Vmax= 14,5V
7	1 = OFF 2 = ON 3 = ON 	<b>LiFePO<sub>4</sub> Litio</b> Maintenance ON	Vmax= 14,2V Vmaint = 13,6V
8	1 = ON 2 = ON 3 = ON 	<b>LiFePO<sub>4</sub> Litio</b> Maintenance OFF	Vmax= 14,2V

**NOTE**

- The default setting is Curve 1 for GEL batteries - desulphation OFF.
- In order to safeguard the battery, with an ambient temperature below 0°C, the LiFePO<sub>4</sub> charge curve will not be started.

**CHARGING CURVE**



**B1 - PHASE DISCUSSION**

<b>PULSE CHARGE</b>	With voltage between 8V and 10.5V, a current between 1A and 2A will be delivered, every 5 seconds. Timeout 4 hours.
<b>RECONDITIONING</b>	With voltage between 10.5V and 12.0V, an approximately 2A constant current will be delivered. Timeout 8 hours.
<b>BULK CHARGE</b>	With voltage between 12V and Vmax (Maximum voltage of the selected charging curve), will be delivered a constant current of: 20A model SCE 320 and 25A model SCE 360.

<b>ABSORPTION CHARGE</b>	With battery voltage equal to $V_{max}$ (Maximum voltage of the selected charging curve), will be delivered a constant voltage equal to the selected curve $V_{max}$ . The delivered current will decrease as the battery state of charge increases till about 3A. Timeout 6 hours.
<b>DESULPHATION</b>	An approximately 2A constant current will be delivered, allowing the battery voltage to rise independently to the maximum value of 15.8V. This phase ends to the achievement of 15.8V. Timeout 2 hours.
<b>MAINTENANCE</b>	This phase keep a constant voltage related to the selected charging curve ( $V_{maint}$ ). This phase has a 4 hours timeout for the $LiFePO_4$ charging curve with maintenance ON (curve N°7), while for the other curves there's no time limit. If during the maintenance phase the voltage should fall below 13.15V for $LiFePO_4$ curve and 12.65V Wet curve and 12.8V and for the other curves, charge will be restarted from the first phase. Timeout 4 hours.

## B2 - PHASE DISCUSSION

<b>PULSE CHARGE</b>	With voltage between 8V and 10.5V, a variable current between 1A and 2A, every 5 seconds. Timeout 4 hours.
<b>RECONDITIONING</b>	With voltage between 10.5V and 12.0V, an approximately 2A constant current will be delivered. Timeout 8 hours.
<b>BULK CHARGE</b>	With battery voltage between 12V and 14,4V, will be delivered a 5A constant current.
<b>ABSORPTION CHARGE</b>	With battery voltage 14,4V will be delivered a 14,4V constant voltage. The delivered current will decrease as the battery state of charge increases till about 3A. Timeout 6 hours.
<b>MAINTENANCE</b>	This phase keep a constant voltage of 13,5V. Timeout 8 hours.

# 9. LED INDICATORS

The two LEDs on the upper part of the device, marked B1 and B2, allow you to quickly understand the charge status of the connected battery.

Each LED can emit different colors referred to a precise state of charge of the battery, the table below explains the relationship between the LED color and the battery state of charge.

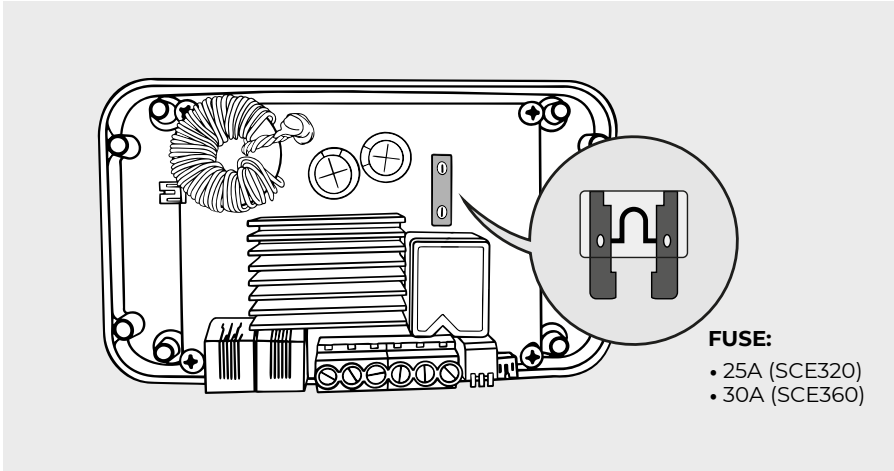
SIGNAL	MEANING
Red LED	Charging
Orange LED	Reconditioning
Green LED	Fully charged / Maintenance

## **CAUTION**

A fast flashing of both LEDs (with the solar panel active) shows an error due to the internal fuse breaking, or services battery voltage below 6V.

# 10.FUSE REPLACEMENT

If the protective fuse on the **SUNCONTROL2** electronic board is damaged, it can be replaced with the original replacement fuse (supplied) or with a common 25A (for SCE320) or 30A (for SCE360) automotive fuse.



Follow these steps to reach the fuse:

1. Remove **SUNCONTROL2** from its housing.
2. Rotate the device to reveal the screws on the bottom of the device.
3. Unscrew the 4 screws.
4. Remove the front shell of **SUNCONTROL2** to access the fuse.
5. Replace the fuse.



# 11. TECHNICAL FEATURES

DESCRIPTION	SCE320	SCE360
<b>INPUTS</b>		
Maximum input Voltage solar panels (open circuit voltage)	29,5V	29,5V
Solar Panel input Connections	2	2
Solar Panel input Maximum Power Supported	50W - 160W	50W - 200W
<b>OUTPUT B1</b>		
Battery nominal voltage	12V	12V
Charging current maximum output	20A	25A
Minumum battery capacity required Lead-acid	60Ah	80Ah
Minumum battery capacity required LiFePO <sub>4</sub>	40Ah	50Ah
Mimumum battery voltage required	8V	8V
Charging curve selector/Curves number	Yes/8	Yes/8
Temperature regulated fan speed	No	Yes
Temperature regulated charging (by temperature sensor for B1 battery - optional)	Yes/-30mV/°C	Yes/-30mV/°C

**OUTPUT B2**

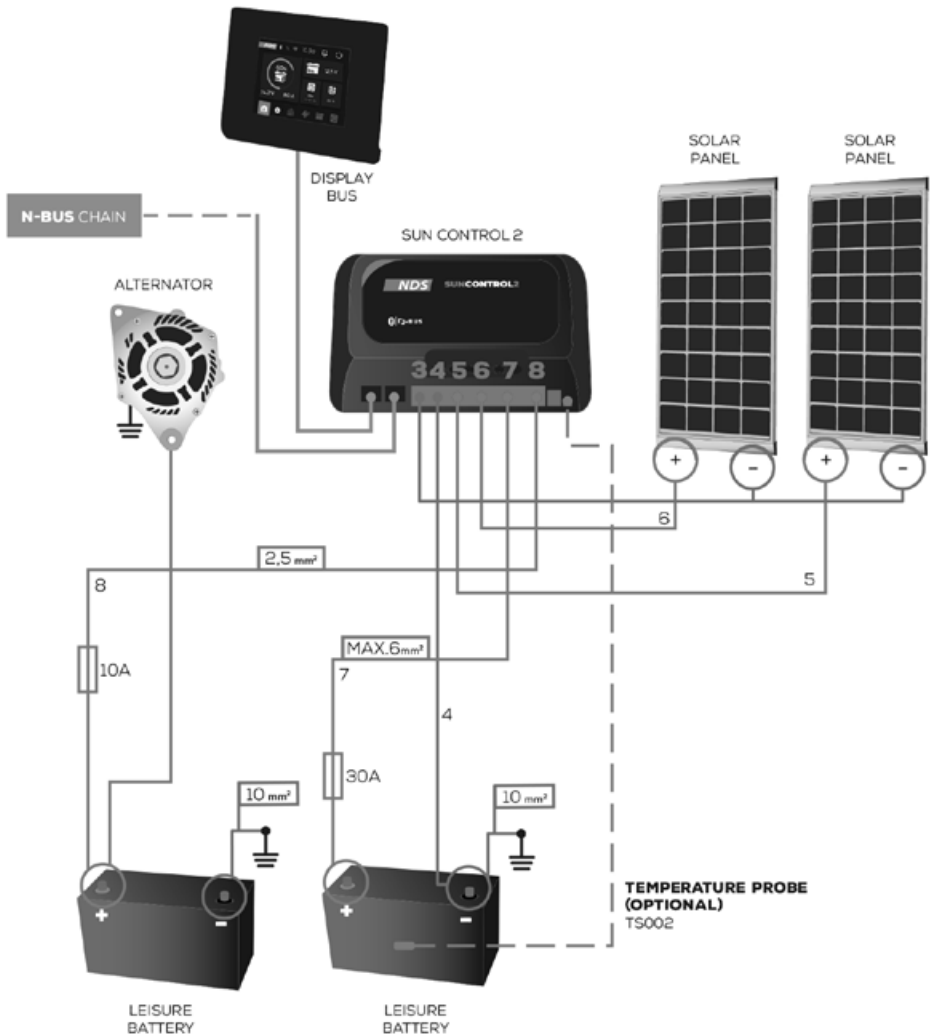
Battery nominal voltage	12V	12V
Charging current maximum output	5A	5A
Minimum battery capacity required Lead-acid/LiFePO <sub>4</sub>	15Ah/10Ah	15Ah/10Ah
Minimum/maximum voltage starting charge	8V - 12,5V	8V - 12,5V
Maximum charging voltage	14,4V	14,4V
Temperature regulated fan speed	No	Yes
Maximum charging timeout	8h	8h

**GENERAL**

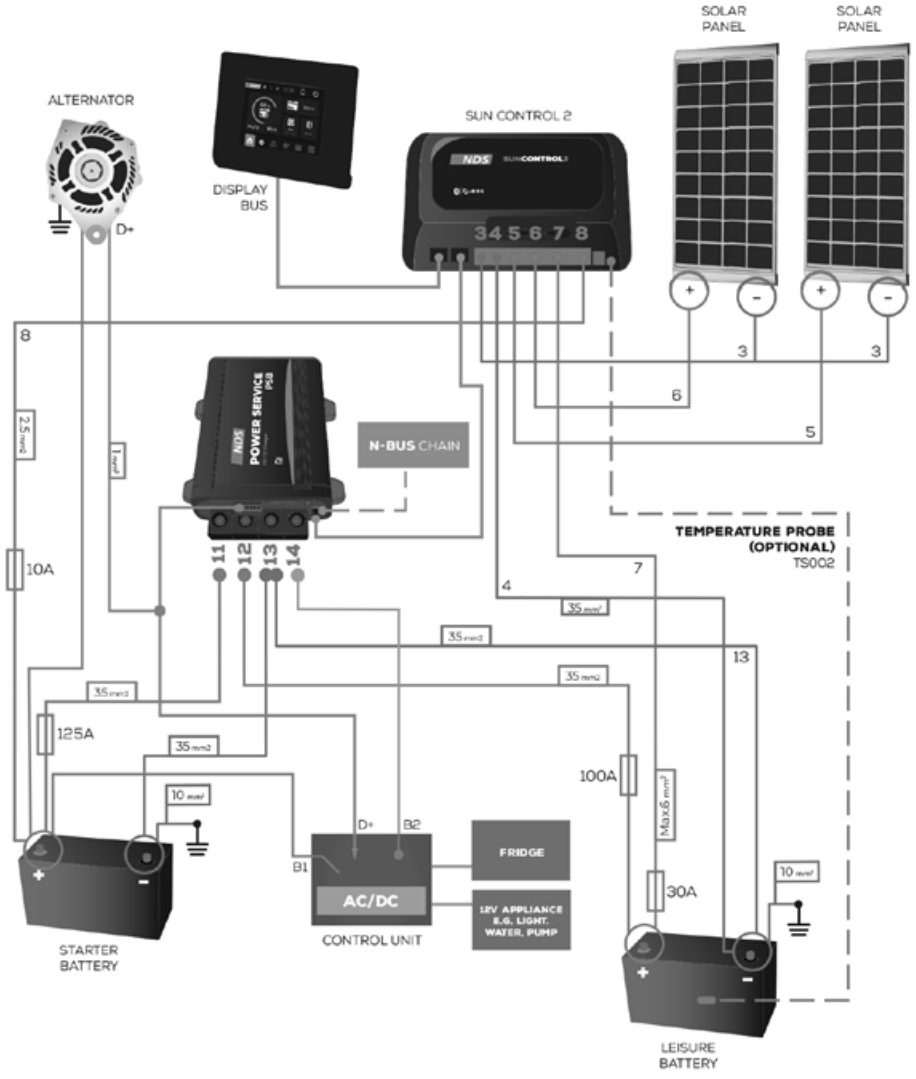
Charging algorithm <b>OPTICHARGE</b>	Yes	Yes
Stand-by self-consumption	<2mA	<2mA
Display connection	Yes	Yes
Internal protection fuse	25A	30A
Reverse polarity protection	Yes	Yes
Night-time discharge protection	Yes	Yes
Overload protection	Yes	Yes
Overheating protection (output power reduction)	Yes	Yes
Size (mm)	123 x 108 x 50	123 x 108 x 50
Weight (cables excluded)	400g	420g
Working temperature	-20°C/+50°C	-20°C/+50°C
Ambient humidity	<90% no condensation	<90% no condensation
Maximum altitude	3000m maximum nominal output up to 2000m)	3000m (maximum nominal output up to 2000m)

# 12. WIRING DIAGRAMS SAMPLES

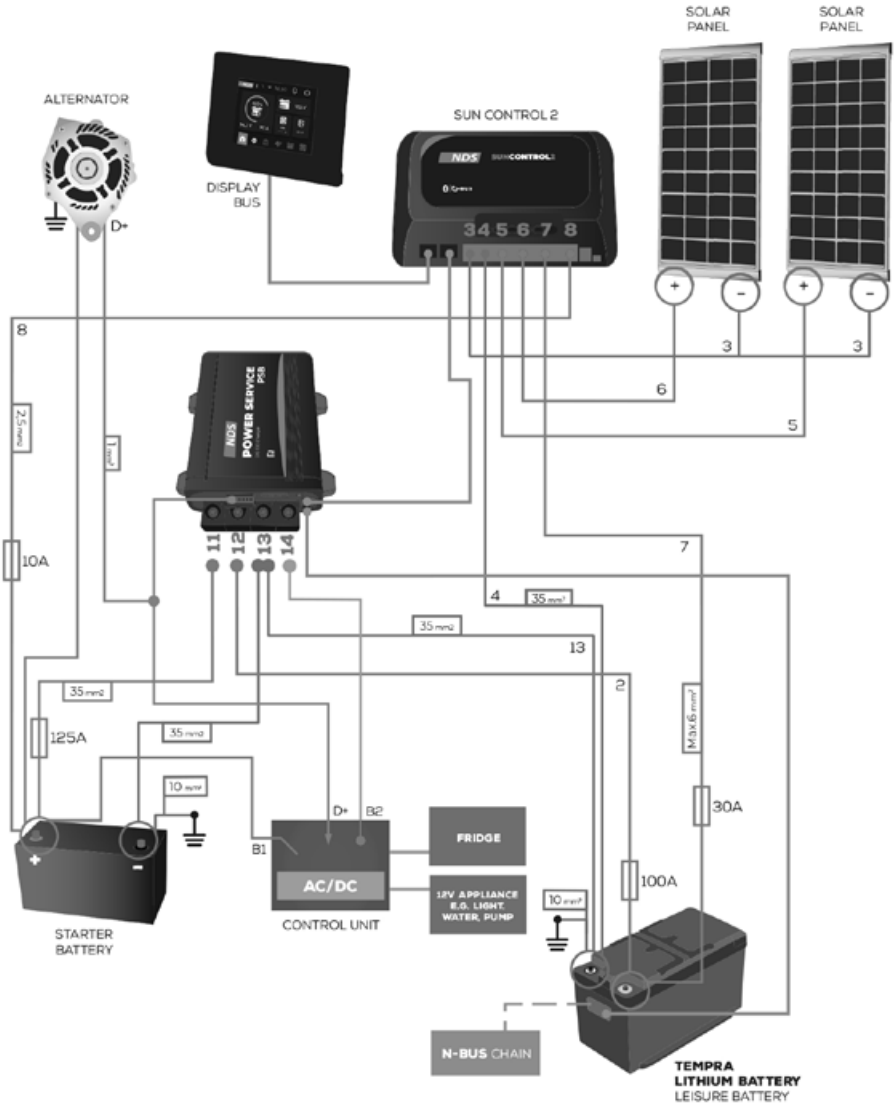
Simple connection, with solar panels, bus display (optional).



**Connection with solar panels, bus display (optional), original control unit.**



**Connection with solar panels, display bus (optional), original control unit and TEMPRA lithium battery.**



## 13.F.A.Q.

- **About solar panels, what's the maximum voltage supported by **SUNCONTROL2**?**

Maximum supported voltage is 29,5V.

- **Is it possible to connect one 200W solar panel only, on a single **SUNCONTROL2** connection?**

It's possible to connect just one bigger solar panel (200W), for example on **SUNCONTROL2** Pin N°5, but you must connect Pin N°5 and Pin N°6.

For the connection bridge, please use, at least, a 6 mm<sup>2</sup> cross-size cable.

- **Is it normal to have a battery voltage (with solar regulator working) over 15V?**

It's normal when the device is in desulphation mode. It is possible to turn OFF the desulphation selecting the proper charging curve: look at the chapter "Charging curve selection".

## DECLARATION OF EU CONFORMITY - SUN CONTROL 2

Company: **NDS Energy s.r.l.**  
Address: via Giovanni Pascoli, 96/98  
65010 - Cappelle sul Tavo (PE)  
Italy

Declares under its own responsibility that the product:

**Commercial Name: SUN CONTROL2**  
**Models: SCE320, SCE360,  
SC320M, SC350M  
SCE320B, SCE360B**

To which this declaration refers, is in compliance with the provisions of the Directive of the Council of the European Union concerning the electromagnetic compatibility (EMC) **Directive 2014/30/EC**, demonstrated to the observance of the following norms:

- ✓ **EN55014-1:2017+A11:2020**
- ✓ **EN55014-2:2015**
- ✓ **EN IEC 61000-3-2:2019**
- ✓ **EN61000-3-3:2013+A1:2019**
- ✓ **EN IEC 61000-6-1:2019**
- ✓ **EN IEC 61000-6-2:2019**
- ✓ **EN IEC 61000-6-3:2021**

It also complies with Directive 2014/53/EU (RED) for wireless communications equipment, demonstrated by compliance with the standard:

- ✓ **EN 300220**

For models with BLE connectivity: SCE320B and SCE360B, the radio equipment directive (RED) 2014/53/UE applies to compliance with the following regulations:

- ✓ **EN62368-1:2020+A11:2020**
- ✓ **ETSI EN 301489-1 V2.2.3 (2019-11)**
- ✓ **ETSI EN 301489-17 V3.2.4 (2020-09)**
- ✓ **EN 300328 v2.2.2 (2019-07)**
- ✓ **EN50663:2017**

compliance for radiated emissions and electromagnetic immunity on vehicles is demonstrated in compliance with the directive:

✓ **ECE R10**

compliance with the restriction on the use of hazardous substances is demonstrated by compliance with directive 2011/65/EU (ROHS2).



Cappelle sul Tavo,  
14/06/2022

Administrator and legal representative

***NDS ENERGY s.r.l.***

A handwritten signature in black ink, appearing to read 'Mattia Di Stefano'. The signature is written in a cursive, flowing style.



# 14.WARRANTY



## WARRANTY COUPON

FIRST Name \_\_\_\_\_

surname \_\_\_\_\_

postcode \_\_\_\_\_

E-MAIL \_\_\_\_\_

model \_\_\_\_\_

SERIAL NUMBER \_\_\_\_\_

Purchase date \_\_\_\_\_

stamp and signature of the seller

I CONSENT TO THE ACTIVITY DESCRIBED IN POINT 3.C OF THE INFORMATION NOTICE ON [www.ndsenergy.it/privacy-policy/](http://www.ndsenergy.it/privacy-policy/)

**NDS ENERGY S.R.L.**

**VIA G. PASCOLI, 96/98**

**65010 CAPPELLE SUL TAVO (PE)**

**ITALY**

**EMAIL: [CUSTOMER@NDSENERGY.IT](mailto:CUSTOMER@NDSENERGY.IT)**

**TEL: +39 085 4470396**

**FAX: +39 085 9112263**

**ITALY**

# NOTES



# NOTES





[qr.dometic.com/bdlugV](https://qr.dometic.com/bdlugV)



---

**YOUR LOCAL  
DEALER AND SUPPORT**

[ndsenergy.eu](https://ndsenergy.eu)

---

A complete list of Dometic companies, which comprise the Dometic Group, can be found in the public filings of:  
**DOMETIC GROUP AB** Hemvärnsgatan 15 SE-17154 Solna Sweden